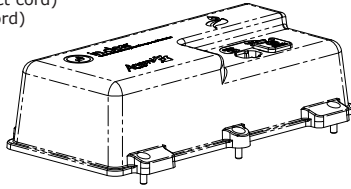
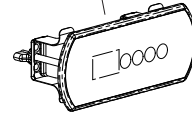


Complete in.clear bromine generator with topside  
**0605-300001** (Quick connect cord)  
**0605-300002** (in.link cord)

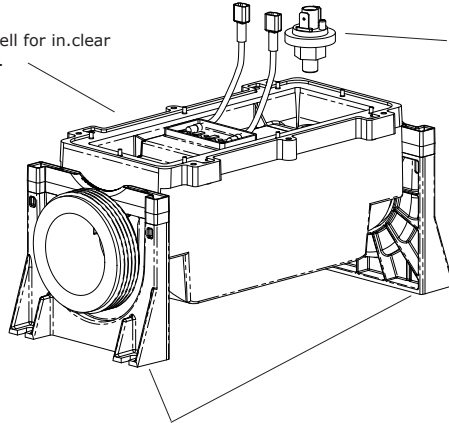


in.clear topside (10' cord)  
with overlay & mounting bracket  
**0607-008010**

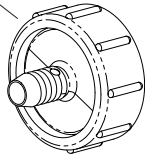


Replacement cell for in.clear  
**9920-101451**

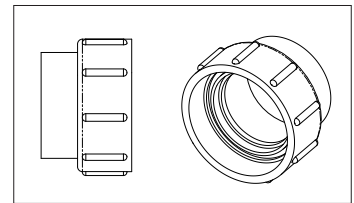
Pressure switch  
**510AD0167** (2 PSI)



Bundle reducer 3/4" to 2"  
**0699-300007** (Bag of 2)



Compression fittings 2"  
**52272000** (Bag of 2)



Mounting bracket  
**9920-101464**