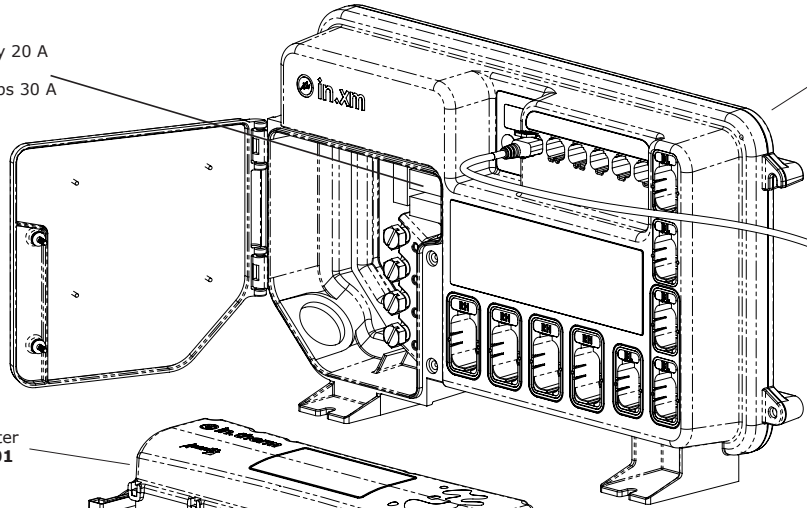


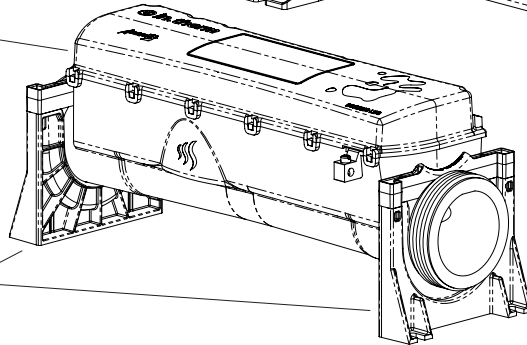
Fuses:  
F1, accessory 20 A  
**430AE0027**  
F2 & 3, pumps 30 A  
**430AC0186**



in.xm control  
**0601-221104**

Light cable and socket  
**9920-400916** (8')  
**9920-401022** (12')

in.therm heater  
**0603-409001**



Mounting bracket  
**9920-101464**

Compression fittings 2"  
**52272000** (Bag of 2)

