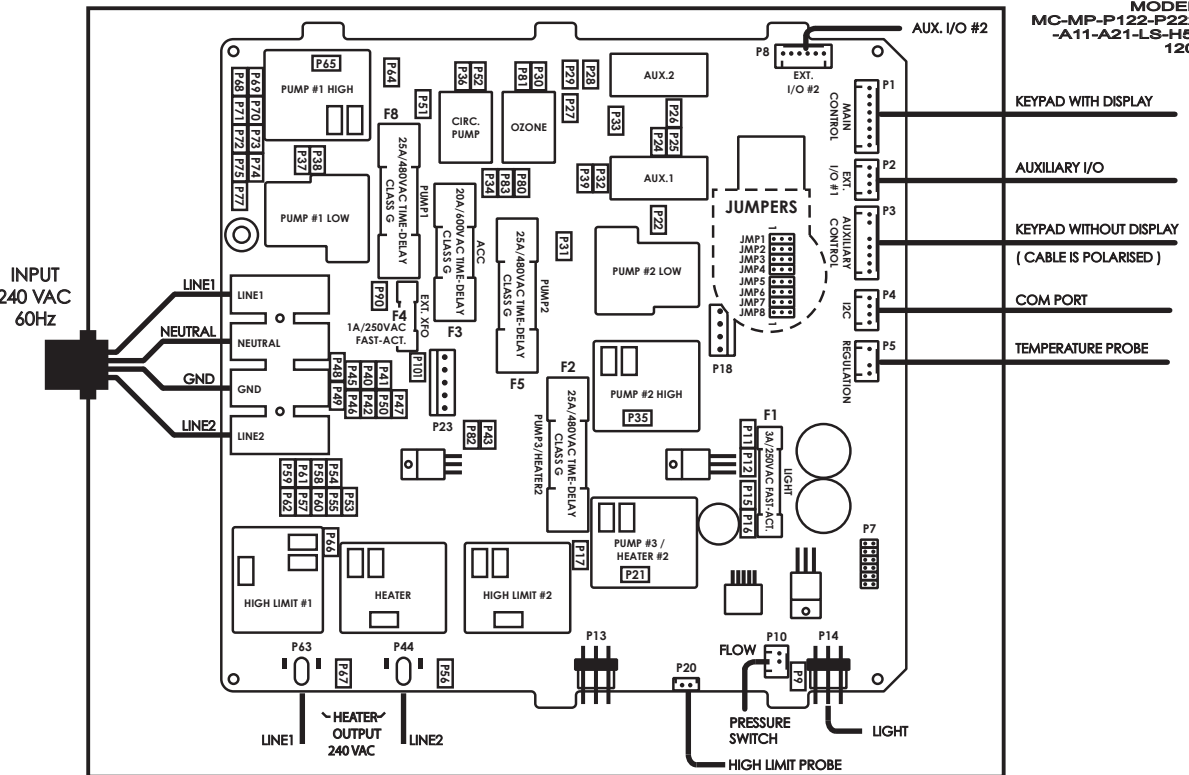


MODEL NUMBER:
 MC-MP-P122-P222-P312-B1-O1-CP1-NE
 -A11-A21-LS-H5.5-RTC-T2-JJC-GE1
 12009-01H



JUMPER SETTINGS

JMP1 = HC MODE = LC MODE

JMP2 }
 JMP3 } SEE JUMPER CONFIG TABLE
 JMP4 }

PUMP #1 CONNECTOR

VOLTAGE	120V <input type="checkbox"/>	240V <input checked="" type="checkbox"/>
GREEN / GROUND	P69	P69
WHITE / COM	P48	P57
BLACK / LOW SPEED	P37	P37
RED / HIGH SPEED	P65	P65

PUMP #2 CONNECTOR

VOLTAGE	120V <input type="checkbox"/>	240V <input checked="" type="checkbox"/>
GREEN / GROUND	P70	P70
WHITE / COM	P45	P58
BLACK / LOW SPEED	P22	P22
RED / HIGH SPEED	P35	P35

PUMP #3 CONNECTOR

VOLTAGE	120V <input type="checkbox"/>	240V <input checked="" type="checkbox"/>
GREEN / GROUND	P71	P71
WHITE / COM	P40	P53
BLACK / LINE	P21	P21

PUMP #4 CONNECTOR

VOLTAGE	120V <input type="checkbox"/>	240V <input checked="" type="checkbox"/>
GREEN / GROUND	P68	P68
WHITE / COM	P42	P55
BLACK / LINE	P37	P37

PUMP #5 CONNECTOR

VOLTAGE	120V <input type="checkbox"/>	240V <input checked="" type="checkbox"/>
GREEN / GROUND	P77	P77
WHITE / COM	P47	P61
BLACK / LINE	P22	P22

BLOWER CONNECTOR

VOLTAGE	120V <input checked="" type="checkbox"/>	240V <input type="checkbox"/>
GREEN / GROUND	P72	P72
WHITE / COM	P49	P59
BLACK / LINE	P43	P43

OZONE CONNECTOR

VOLTAGE	120V <input checked="" type="checkbox"/>	240V <input type="checkbox"/>
GREEN / GROUND	P73	P73
WHITE / COM	P46	P60
BLACK / LINE	P30	P30

CIRC PUMP CONNECTOR

VOLTAGE	120V <input checked="" type="checkbox"/>	240V <input type="checkbox"/>
GREEN / GROUND	P74	P74
WHITE / COM	P41	P54
BLACK / LINE	P36	P36

GECKO **cRU[®] US**

Model: MC-MP-P122-P222-P312-B1-O1-CP1 Options: NE-A11-A21-LS-H5.5-RTC-T2-JJC-GE1

PUMP #1, #2, #3	15 FLA EACH	LIGHT	12VAC 1A
PUMP #4, #5	7 FLA EACH	LIGHT 120VAC	3A
BLOWER	8A	HEATER	23A
OZONE	1A	ID NUMBER	3-74-7036
CIRC PUMP	1A	SERIAL # :	
FIBER BOX	2A	INPUT 240VAC 60Hz 48A MAX	

NOTE: MAXIMUM OUTPUT CURRENT CANNOT EXCEED MAXIMUM INPUT CURRENT.

Model:	Options:
MC-MP-P122-P222-P312-B1-O1-CP1	NE-A11-A21-LS-H5.5-RTC-T2-JJC-GE1
ID Number:	3-74-7036

JUMPER CONFIGURATION

K-8 (8 KEYS)	K-47 (8 KEYS)	K-8 (10 KEYS)	K-4, K-48 (8 KEYS)	K-4 (10 KEYS)	K-4 FOR 5 PUMPS (10 KEYS)
JMP2 <input type="checkbox"/>	JMP2 <input type="checkbox"/>	JMP2 <input type="checkbox"/>	JMP2 <input type="checkbox"/>	JMP2 <input type="checkbox"/>	JMP2 <input type="checkbox"/>
JMP3 <input type="checkbox"/>	JMP3 <input type="checkbox"/>	JMP3 <input type="checkbox"/>	JMP3 <input type="checkbox"/>	JMP3 <input type="checkbox"/>	JMP3 <input type="checkbox"/>
JMP4 <input type="checkbox"/>	JMP4 <input type="checkbox"/>	JMP4 <input type="checkbox"/>	JMP4 <input type="checkbox"/>	JMP4 <input type="checkbox"/>	JMP4 <input type="checkbox"/>

FIBER BOX CONNECTOR

VOLTAGE	120V
GREEN / GROUND	P75
WHITE / COM	P50
BLACK / LIGHT (AUX1)	P24
RED / WHEEL (AUX2)	P27

LIGHT CONNECTOR

LIGHT	P14
-------	-----

LIGHT 120VAC

BLACK	P24
WHITE	P50
GREEN	P75

HEATER

GREEN/GROUND	GROUND
BLACK1	P63
BLACK2	P44



BONDING LUG

PUMP #1

PUMP #2

PUMP #3

BLOWER

OZONE

CIRC PUMP

FIBER BOX

USE COPPER CONDUCTORS ONLY.
 CONNECT ONLY TO A CIRCUIT PROTECTED BY A CLASS A, GROUND FAULT CIRCUIT INTERRUPTER (GFCI).
 FOR SUPPLY CONNECTIONS, USE CONDUCTORS SIZED ON THE BASIS OF 60°C AMPACITY BUT RATED MINIMUM 90°C.
 SUITABLE ONLY FOR INDOOR USE OR WHEN INSTALLED UNDER THE WEATHERPROOF SKIRT OF A SPA.
 PLEASE MAKE SURE THAT JUMPERS SETTING IS PROPER BEFORE POWER-UP.

WARNING:
 BEFORE OBTAINING ACCESS TO TERMINALS,
 ALL SUPPLY CIRCUITS MUST BE DISCONNECTED

