

PUMP #1 CONNECTOR		
VOLTAGE	120V	240V
GREEN / GROUND	P69	P69
WHITE / COM	P48	P57
RED / LOW SPEED	P37	P37
BLACK / HIGH SPEED	P65	P65

PUMP #2 CONNECTOR		
VOLTAGE	120V	240V
GREEN / GROUND	P70	P70
WHITE / COM	P45	P58
RED / LOW SPEED	P22	P22
BLACK / HIGH SPEED	P35	P35



TC-MP-P122-P222-O1-A11-A21-2H35.0
-RTC-IR-SPW-AU11-JJM-CC5
13315-01F

BLOWER CONNECTOR		
VOLTAGE	120V	240V
GREEN / GROUND	P72	P72
WHITE / COM	P49	P59
BLACK / LINE	P25	P25

OZONE CONNECTOR		
VOLTAGE	120V	240V
GREEN / GROUND	P73	P73
WHITE / COM	P46	P60
BLACK / LINE	P30	P30

ACCESSORY CONNECTOR		
VOLTAGE	120V	240V
GREEN / GROUND	P77	P77
WHITE / COM	P47	P61
BLACK / LINE	P34	P34

LIGHT CONNECTOR		
LIGHT 1	P14	

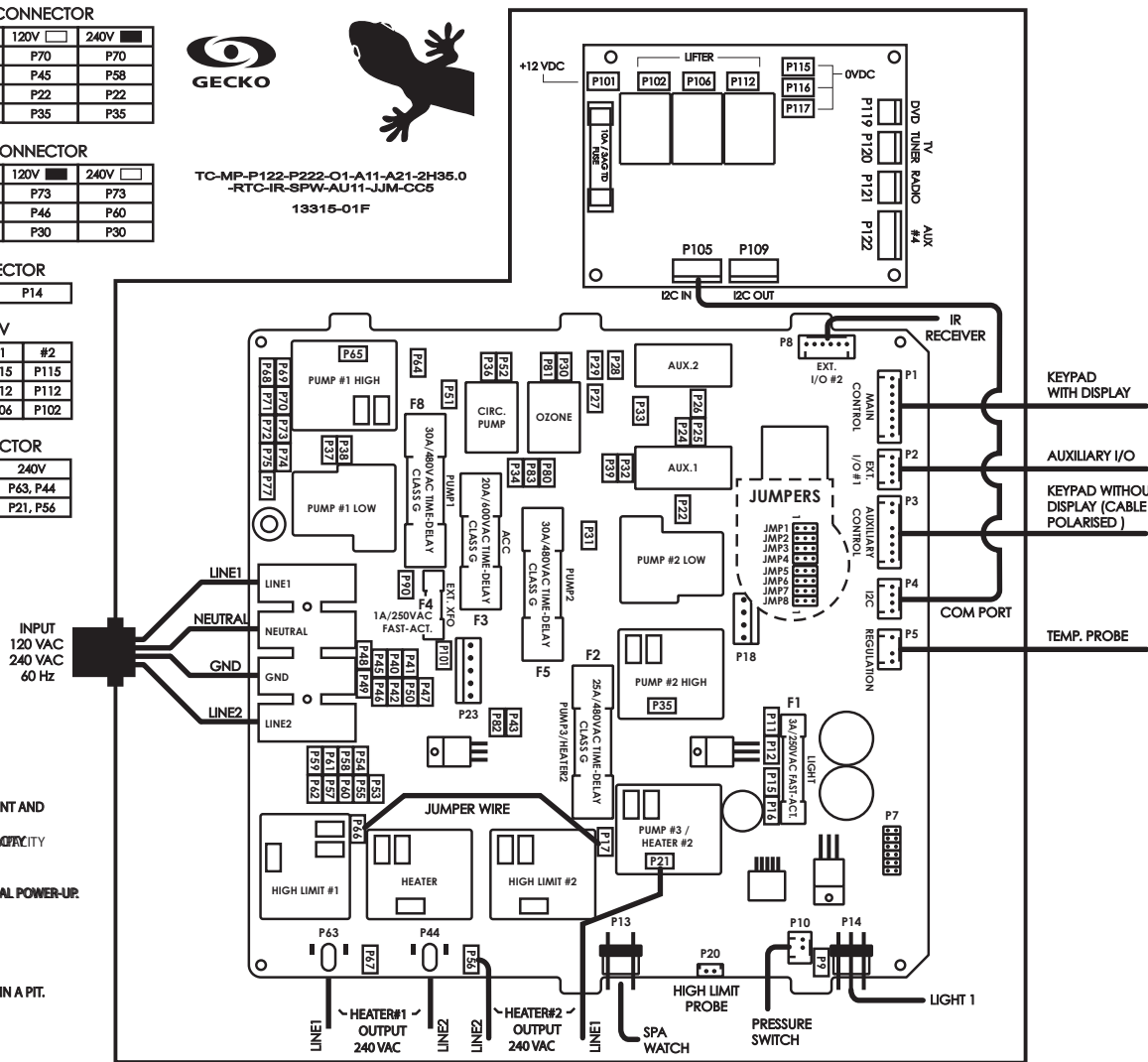
FIBER BOX CONNECTOR		
VOLTAGE	120V	
GREEN / GROUND	P75	
WHITE / COM	P50	
BLACK / LIGHT	P24	
RED / MOTOR	P28	

LIFTER 12V		
LIFTER	#1	#2
GROUND	P115	P115
LIFTER POWER	P112	P112
LIFTER UP/DOWN	P106	P102

FAN 1 CONNECTOR		
VOLTAGE	120V	240V
GREEN / GROUND	P74	P74
WHITE / COM	P41	P54
BLACK / LINE	P36	P36

HEATER CONNECTOR		
VOLTAGE	240V	
HEATER #1 (4Kw)	P63, P44	
HEATER #2 (1Kw)	P21, P56	

FAN 2 CONNECTOR		
VOLTAGE	120V	240V
GREEN / GROUND	P71	P71
WHITE / COM	P40	P53
BLACK / LINE	P52	P52

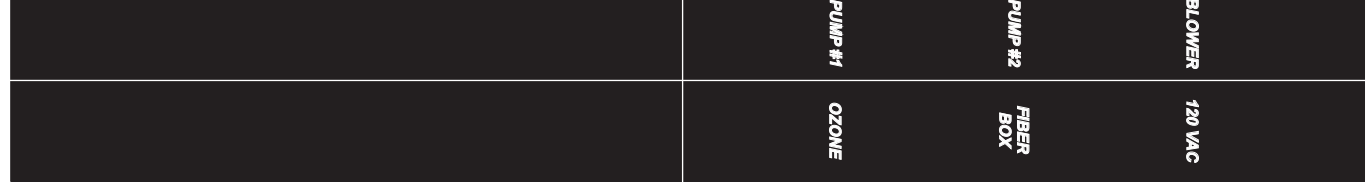


- USE COPPER CONDUCTORS ONLY.
- CONNECT ONLY TO A CIRCUIT PROTECTED BY A CLASS A, GROUND FAULT CIRCUIT INTERRUPTER (GFCI).
- A DISCONNECTING MEANS MUST BE INSTALLED WITHIN SIGHT FROM THE EQUIPMENT AND AT LEAST 5 FT (1.52m) FROM THE INSIDE WALLS OF THE HOT TUB.
- FOR SUPPLY CONNECTION, USE CONDUCTORS SIZED ON THE BASIS OF 60°C (140°F) RATED MINIMUM 90°C.
- CAUTION: WIRING CONNECTED IN THIS BOX MUST BE RATED AT LEAST 300V.
- PLEASE MAKE SURE THAT LOW-LEVEL PROGRAMMING IS PROPERLY SET AFTER INITIAL POWER-UP.

- CAUTION**
- CSA ENCLOSURE 2. FOR INDOOR USE ONLY.
 - TEST THE GROUND FAULT CIRCUIT INTERRUPTER BEFORE EACH USE OF THE SPA.
 - READ THE INSTRUCTION MANUAL.
 - ADEQUATE DRAINAGE MUST BE PROVIDED IF THE EQUIPMENT IS TO BE INSTALLED IN A PIT.

- WARNING**
- WATER TEMPERATURE IN EXCESS OF 38°C MAY BE INJURIOUS TO YOUR HEALTH.
 - DISCONNECT THE ELECTRIC POWER BEFORE SERVICING.

WARNING:
BEFORE OBTAINING ACCESS TO TERMINALS,
ALL SUPPLY CIRCUITS MUST BE DISCONNECTED



GECKO ID 0200-205012		UL	
Model: TC-MP-P122-P222-O1-A11-A21-2H35.0		Options: RTC-IR-SPW-AU11-JJM-CC5	
PUMP #1	20FLA	LIFTER 12V	12VDC 4A
PUMP #2	20FLA	HEATER #1	17A
BLOWER	3.8A	HEATER #2	5A
OZONE	1A		
LIGHT	12VAC 2A	SERIAL # :	
FIBER BOX	1A	INPUT 12VDC 4A	
ACCESSORY	1A	INPUT 240VAC 60Hz 48A MAX	

TC-MP

*Fuses are located under the cover.
Replace only with the same type of fuses.*

Model:	TC-MP-P122-P222-O1-A11-A21-2H35.0	Options:	RTC-IR-SPW-AU11-JJM-CC5
ID Number:	0200-205012		

BONDING LUG

